



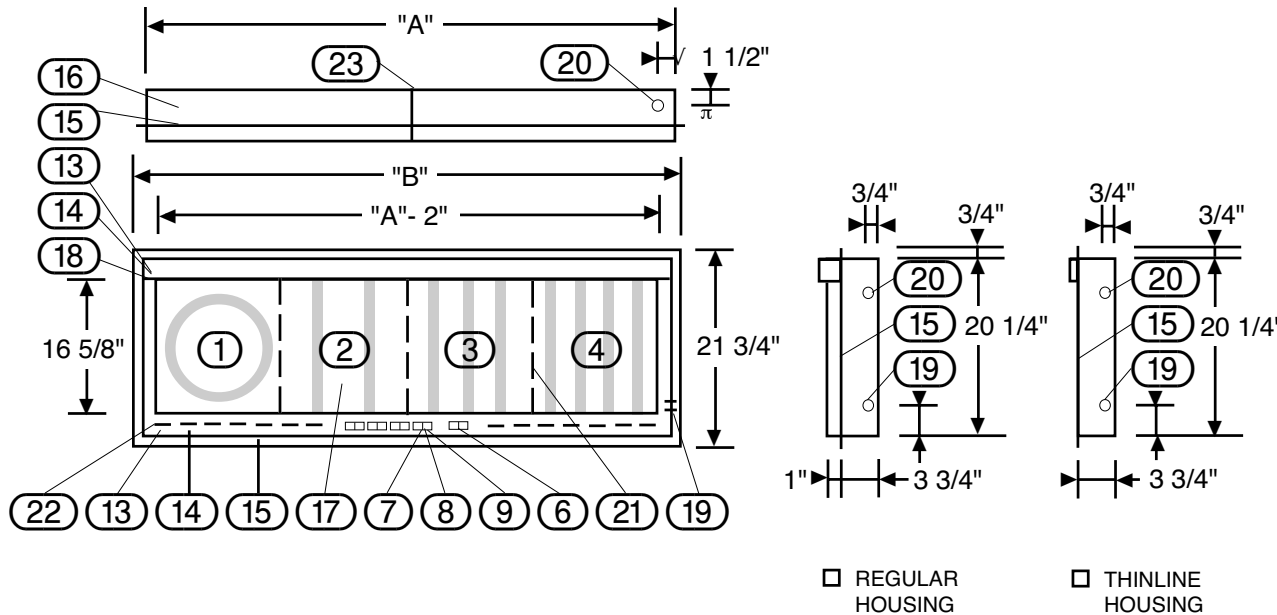
**X-RAY ILLUMINATOR
E LINE
W LINE
RECESS MOUNTED**

DATE: 10/1/02
SCALE: 1/2" = 1' 0"
DRAWN BY: JRC
DRAWING NO. 234



MODEL	LENGTH "A"	LENGTH "B"	BULBS PER SECTION & TOTAL AMPS				WALL OPENING			LBS.	COMMENTS
			1 BULB	2 BULBS	3 BULBS	4 BULBS	HEIGHT	WIDTH	DEPTH		
1 R ()	16 1/8"	17 5/8"	.44	.55	.80	1.10	20 5/8"	16 1/2"	3 7/8"	23	
2 R ()	30 1/4"	31 3/4"	.88	1.10	1.60	2.20	20 5/8"	30 5/8"	3 7/8"	46	
3 R ()	44 3/8"	45 7/8"	1.32	1.65	2.40	3.30	20 5/8"	44 3/4"	3 7/8"	69	
4 R ()	58 1/2"	60"	1.76	2.20	3.20	4.40	20 5/8"	58 7/8"	3 7/8"	92	
5 R ()	72 5/8"	74 1/8"	2.20	2.75	4.00	5.50	20 5/8"	73"	3 7/8"	115	
6 R ()	86 3/4"	88 1/4"	2.64	3.30	4.80	6.60	20 5/8"	87 1/8"	3 7/8"	138	
7 R ()	100 7/8"	102 3/8"	3.08	3.85	5.60	7.70	20 5/8"	101 1/4"	3 7/8"	161	
8 R ()	115"	116 1/2"	3.52	4.40	6.40	8.80	20 5/8"	115 3/8"	3 7/8"	184	
9 R ()	129 1/8"	130 5/8"	3.96	4.95	7.20	9.90	20 5/8"	129 1/2"	3 7/8"	207	
10 R ()	143 1/4"	144 3/4"	4.40	5.50	8.00	11.00	20 5/8"	143 5/8"	3 7/8"	230	
11 R ()	157 3/8"	158 7/8"	4.84	6.05	8.80	12.10	20 5/8"	157 3/4"	3 7/8"	253	
12 R ()	171 1/2"	173"	5.28	6.60	9.60	13.20	20 5/8"	171 7/8"	3 7/8"	276	

ADVISE CARR IF ANY UNITS ARE TO BE INSTALLED IN OPERATING ROOMS. SMALL MODIFICATIONS REQUIRED.



- 1. BULB, 32 WATT T8 DAYLIGHT FLUORESCENT CIRCLINE, 1 PER SECTION, IN ALL SECTIONS
- 2. BULB, 15 WATT T8 DAYLIGHT FLUORESCENT STRAIGHT, 2 PER SECTION, IN ALL SECTIONS
- 3. BULB, 15 WATT T8 DAYLIGHT FLUORESCENT STRAIGHT, 3 PER SECTION, IN ALL SECTIONS
- 4. BULB, 15 WATT T8 DAYLIGHT FLUORESCENT STRAIGHT, 4 PER SECTION, IN ALL SECTIONS
- 5. SWITCH, FILM ACTIVATED, DUAL
- 6. SWITCH, MASTER CONSOLE
- 7. SWITCH, ROCKER, SPST, 2 POSITION
- 8. SWITCH, ROCKER, DPST, 2 POSITION
- 9. SWITCH, ROCKER, DPDT, 3 POSITION
- 10. BALLAST, LOW LEAKAGE
- 11. BALLAST, TRIGGER START
- 12. DIMMER, ELECTRONIC, 2 LIGHT LEVEL
- 13. TRIM, FACE, POWDER COATED WHITE
- 14. TRIM, FACE, STAINLESS STEEL
- 15. TRIM, RECESS FLANGE, STAINLESS STEEL
- 16. HOUSING, E.G. STEEL, POWDER COATED WHITE
- 17. LENS, 1/8" TRANSLUCENT WHITE PLEXIGLASS
- 18. FILM GRIP, ADJUSTABLE ROLLER
- 19. K.O., 7/8", STANDARD 3 WIRE POWER LEAD LOCATION. LEFT SIDE HAS ALTERNATE K.O.
- 20. K.O., 7/8", ALTERNATE ELECTRICAL CONNECTION LOCATION, ONE EACH SIDE
- 21. DIVIDER, SECTIONAL, REMOVABLE
- 22. VENT, AIR CIRCULATION
- 23. SPLIT HOUSING ON 7 TO 12 SECTION UNITS
- 24.

NOTE: ONLY ITEMS W/ MARKED BOXES ARE INCLUDED

REFERENCE:	
STANDARD: 7	DIMMER: 9, 12
FILM ACTIVATED: 5, 9	DIMMER + FILM ACT: 5, 9, 12
LL: 8, 10	DIMMER + LL: 9, 10, 12
FILM ACT + LL: 5, 9, 10	DIMMER + LL + F. ACT: 5, 7, 9, 10, 12

115 VOLTS, 60 HTZ., AMPS AS SHOWN ABOVE IN "BULBS PER SECTION & TOTAL AMPS"

NOTE: ALL DIMENSIONS + 1/4"



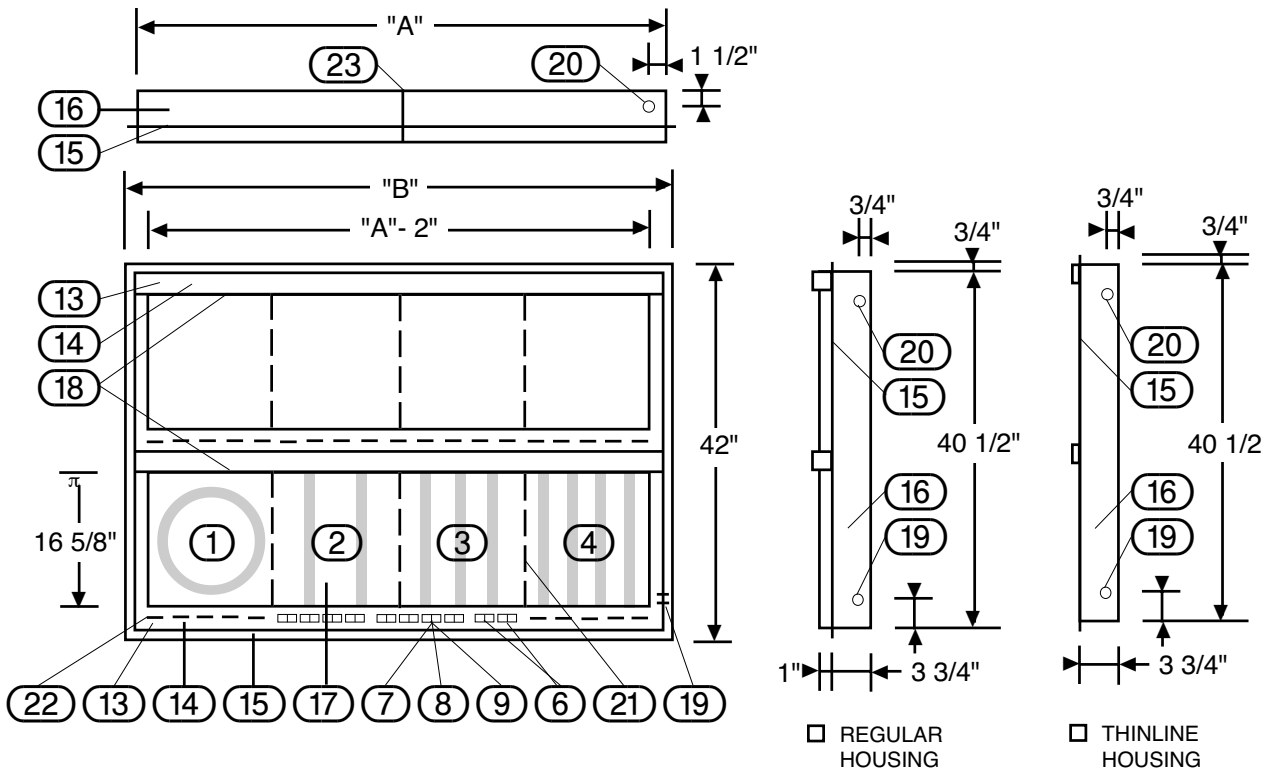
**X-RAY ILLUMINATOR
E LINE
W LINE
RECESS MOUNTED**

DATE: 10/1/02
SCALE: 1/2" = 1' 0"
DRAWN BY: JRC
DRAWING NO. 235



MODEL	LENGTH "A"	LENGTH "B"	BULBS PER SECTION & TOTAL AMPS				WALL OPENING			LBS.	COMMENTS
			1 BULB	2 BULBS	3 BULBS	4 BULBS	HEIGHT	WIDTH	DEPTH		
1/1 R ()	16 1/8"	17 5/8"	.88	1.10	1.60	2.20	40 7/8"	16 1/2"	3 7/8"	46	
2/2 R ()	30 1/4"	31 3/4"	1.76	2.20	3.20	4.40	40 7/8"	30 5/8"	3 7/8"	92	
3/3 R ()	44 3/8"	45 7/8"	2.64	3.30	4.80	6.60	40 7/8"	44 3/4"	3 7/8"	138	
4/4 R ()	58 1/2"	60"	3.52	4.40	6.40	8.80	40 7/8"	58 7/8"	3 7/8"	184	
5/5 R ()	72 5/8"	74 1/8"	4.40	5.50	8.00	11.00	40 7/8"	73"	3 7/8"	230	
6/6 R ()	86 3/4"	88 1/4"	5.28	6.60	9.60	13.20	40 7/8"	87 1/8"	3 7/8"	276	
7/7 R ()	100 7/8"	102 3/8"	6.16	7.70	11.20	15.40	40 7/8"	101 1/4"	3 7/8"	322	
8/8 R ()	115"	116 1/2"	7.04	8.80	12.80	17.60	40 7/8"	115 3/8"	3 7/8"	368	
9/9 R ()	129 1/8"	130 5/8"	7.92	9.90	14.40	19.80	40 7/8"	129 1/2"	3 7/8"	414	
10/10 R ()	143 1/4"	144 3/4"	8.80	11.00	16.00	22.00	40 7/8"	143 5/8"	3 7/8"	460	
11/11 R ()	157 3/8"	158 7/8"	9.68	12.10	17.60	24.20	40 7/8"	157 3/4"	3 7/8"	506	
12/12 R ()	171 1/2"	173"	10.56	13.20	19.20	26.40	40 7/8"	171 7/8"	3 7/8"	552	

ADVISE CARR IF ANY UNITS ARE TO BE INSTALLED IN OPERATING ROOMS. SMALL MODIFICATIONS REQUIRED.



- 1. BULB, 32 WATT T8 DAYLIGHT FLUORESCENT CIRCLINE, 1 PER SECTION, IN ALL SECTIONS
- 2. BULB, 15 WATT T8 DAYLIGHT FLUORESCENT STRAIGHT, 2 PER SECTION, IN ALL SECTIONS
- 3. BULB, 15 WATT T8 DAYLIGHT FLUORESCENT STRAIGHT, 3 PER SECTION, IN ALL SECTIONS
- 4. BULB, 15 WATT T8 DAYLIGHT FLUORESCENT STRAIGHT, 4 PER SECTION, IN ALL SECTIONS
- 5. SWITCH, FILM ACTIVATED, DUAL
- 6. SWITCH, MASTER CONSOLE
- 7. SWITCH, ROCKER, SPST, 2 POSITION
- 8. SWITCH, ROCKER, DPST, 2 POSITION
- 9. SWITCH, ROCKER, DPDT, 3 POSITION
- 10. BALLAST, LOW LEAKAGE
- 11. BALLAST, TRIGGER START
- 12. DIMMER, ELECTRONIC, 2 LIGHT LEVEL
- 13. TRIM, FACE, POWDER COATED WHITE
- 14. TRIM, FACE, STAINLESS STEEL
- 15. TRIM, RECESS FLANGE, STAINLESS STEEL
- 16. HOUSING, E.G. STEEL, POWDER COATED WHITE
- 17. LENS, 1/8" TRANSLUCENT WHITE PLEXIGLASS
- 18. FILM GRIP, ADJUSTABLE ROLLER
- 19. K.O., 7/8", STANDARD 3 WIRE POWER LEAD LOCATION. LEFT SIDE HAS ALTERNATE K.O.
- 20. K.O., 7/8", ALTERNATE ELECTRICAL CONNECTION LOCATION, ONE EACH SIDE
- 21. DIVIDER, SECTIONAL, REMOVABLE
- 22. VENT, AIR CIRCULATION
- 23. SPLIT HOUSING ON 7/7 TO 12/12 SECTION UNITS
- 24.

NOTE: ONLY ITEMS W/ MARKED BOXES ARE INCLUDED

SWITCH REFERENCE:	
STANDARD: 7	DIMMER: 9, 12
FILM ACTIVATED: 5, 9	DIMMER + FILM ACT: 5, 9, 12
LL: 8, 10	DIMMER + LL: 9, 10, 12
FILM ACT + LL: 5, 9, 10	DIMMER + LL + F. ACT: ... 5, 7, 9, 10, 12

115 VOLTS, 60 HTZ., AMPS AS SHOWN ABOVE IN "BULBS PER SECTION & TOTAL AMPS"

NOTE: ALL DIMENSIONS + 1/4"



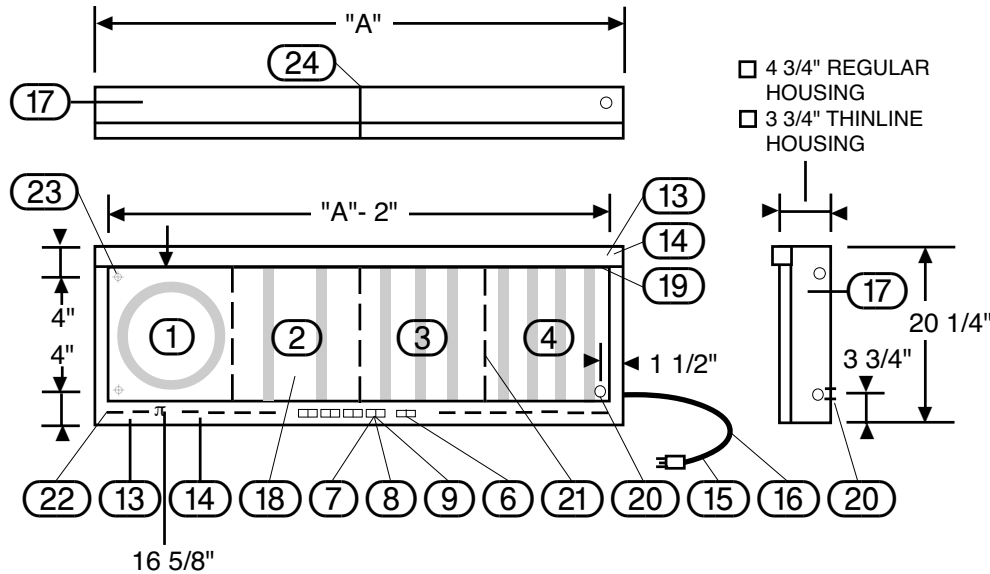
**X-RAY ILLUMINATOR
E LINE
W LINE
SURFACE MOUNTED**

DATE: 10/1/02
SCALE: 1/2" = 1' 0"
DRAWN BY: JRC
DRAWING NO. 236



MODEL	LENGTH "A"	BULBS PER SECTION & TOTAL AMPS				LBS.	COMMENTS
		1 BULB	2 BULBS	3 BULBS	4 BULBS		
1 S ()	16 1/8"	.44	.55	.80	1.10	23	
2 S ()	30 1/4"	.88	1.10	1.60	2.20	46	
3 S ()	44 3/8"	1.32	1.65	2.40	3.30	69	
4 S ()	58 1/2"	1.76	2.20	3.20	4.40	92	
5 S ()	72 5/8"	2.20	2.75	4.00	5.50	115	
6 S ()	86 3/4"	2.64	3.30	4.80	6.60	138	
7 S ()	100 7/8"	3.08	3.85	5.60	7.70	161	
8 S ()	115"	3.52	4.40	6.40	8.80	184	
9 S ()	129 1/8"	3.96	4.95	7.20	9.90	207	
10 S ()	143 1/4"	4.40	5.50	8.00	11.00	230	
11 S ()	157 3/8"	4.84	6.05	8.80	12.10	253	
12 S ()	171 1/2"	5.28	6.60	9.60	13.20	276	

ADVISE CARR IF ANY UNITS ARE TO BE INSTALLED IN OPERATING ROOMS. SMALL MODIFICATIONS REQUIRED.



- 4 3/4" REGULAR HOUSING
- 3 3/4" THINLINE HOUSING

- 1. BULB, 32 WATT T8 DAYLIGHT FLUORESCENT CIRCLINE, 1 PER SECTION, IN ALL SECTIONS
- 2. BULB, 15 WATT T8 DAYLIGHT FLUORESCENT STRAIGHT, 2 PER SECTION, IN ALL SECTIONS
- 3. BULB, 15 WATT T8 DAYLIGHT FLUORESCENT STRAIGHT, 3 PER SECTION, IN ALL SECTIONS
- 4. BULB, 15 WATT T8 DAYLIGHT FLUORESCENT STRAIGHT, 4 PER SECTION, IN ALL SECTIONS
- 5. SWITCH, FILM ACTIVATED, DUAL
- 6. SWITCH, MASTER CONSOLE
- 7. SWITCH, ROCKER, SPST, 2 POSITION
- 8. SWITCH, ROCKER, DPST, 2 POSITION
- 9. SWITCH, ROCKER, DPDT, 3 POSITION
- 10. BALLAST, LOW LEAKAGE
- 11. BALLAST, TRIGGER START
- 12. DIMMER, ELECTRONIC, 2 LIGHT LEVEL
- 13. TRIM, FACE, POWDER COATED WHITE
- 14. TRIM, FACE, STAINLESS STEEL
- 15. CORD & PLUG, 3 PRONG, 6 FT., MOLDED
- 16. CORD & PLUG, 3 PRONG, 6 FT., HOSP. GRADE
- 17. HOUSING, E.G. STEEL, POWDER COATED WHITE
- 18. LENS, 1/8" TRANSLUCENT WHITE PLEXIGLASS
- 19. FILM GRIP, ADJUSTABLE ROLLER
- 20. K.O., 7/8", STANDARD 3 WIRE POWER LEAD LOCATION (IF NO CORD & PLUG) ON BACK OF UNIT
- 21. DIVIDER, SECTIONAL, REMOVABLE
- 22. VENT, AIR CIRCULATION
- 23. MOUNTING HOLE, 1/4" DIA., 2 IN EACH SECTION
- 24. SPLIT HOUSING ON 7 TO 12 SECTION UNITS
- 25.

NOTE: ONLY ITEMS W/ MARKED BOXES ARE INCLUDED

SWITCH REFERENCE:	
STANDARD: 7	DIMMER: 9, 12
FILM ACTIVATED: 5, 9	DIMMER + FILM ACT: 5, 9, 12
LL: 8, 10	DIMMER + LL: 9, 10, 12
FILM ACT + LL: 5, 9, 10	DIMMER + LL + F. ACT: ... 5, 7, 9, 10, 12

115 VOLTS, 60 HTZ., AMPS AS SHOWN ABOVE IN "BULBS PER SECTION & TOTAL AMPS"

NOTE: ALL DIMENSIONS + 1/4"

CARR

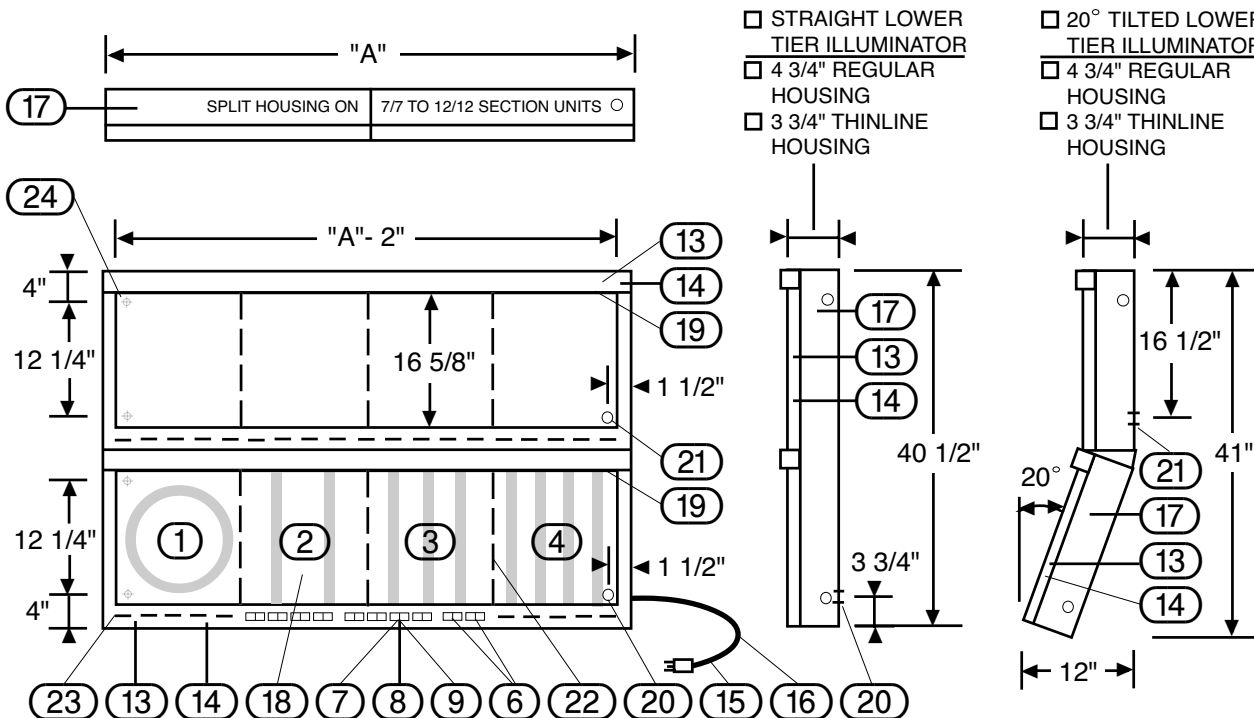
X-RAY ILLUMINATOR E LINE W LINE SURFACE MOUNTED

DATE: 10/1/02
SCALE: 1/2" = 1' 0"
DRAWN BY: JRC
DRAWING NO. 237



MODEL	LENGTH "A"	BULBS PER SECTION & TOTAL AMPS				LBS.	COMMENTS
		1 BULB	2 BULBS	3 BULBS	4 BULBS		
1/1 S ()	16 1/8"	.88	1.10	1.60	2.20	46	
2/2 S ()	30 1/4"	1.76	2.20	3.20	4.40	92	
3/3 S ()	44 3/8"	2.64	3.30	4.80	6.60	138	
4/4 S ()	58 1/2"	3.52	4.40	6.40	8.80	184	
5/5 S ()	72 5/8"	4.40	5.50	8.00	11.00	230	
6/6 S ()	86 3/4"	5.28	6.60	9.60	13.20	276	
7/7 S ()	100 7/8"	6.16	7.70	11.20	15.40	322	
8/8 S ()	115"	7.04	8.80	12.80	17.60	368	
9/9 S ()	129 1/8"	7.92	9.90	14.40	19.80	414	
10/10 S ()	143 1/4"	8.80	11.00	16.00	22.00	460	
11/11 S ()	157 3/8"	9.68	12.10	17.60	24.20	506	
12/12 S ()	171 1/2"	10.56	13.20	19.20	26.40	552	

ADVISE CARR IF ANY UNITS ARE TO BE INSTALLED IN OPERATING ROOMS. SMALL MODIFICATIONS REQUIRED.



- 1. BULB, 32 WATT T8 DAYLIGHT FLUORESCENT CIRCLINE, 1 PER SECTION, IN ALL SECTIONS
- 2. BULB, 15 WATT T8 DAYLIGHT FLUORESCENT STRAIGHT, 2 PER SECTION, IN ALL SECTIONS
- 3. BULB, 15 WATT T8 DAYLIGHT FLUORESCENT STRAIGHT, 3 PER SECTION, IN ALL SECTIONS
- 4. BULB, 15 WATT T8 DAYLIGHT FLUORESCENT STRAIGHT, 4 PER SECTION, IN ALL SECTIONS
- 5. SWITCH, FILM ACTIVATED, DUAL
- 6. SWITCH, MASTER CONSOLE
- 7. SWITCH, ROCKER, SPST, 2 POSITION
- 8. SWITCH, ROCKER, DPST, 2 POSITION
- 9. SWITCH, ROCKER, DPDT, 3 POSITION
- 10. BALLAST, LOW LEAKAGE
- 11. BALLAST, TRIGGER START
- 12. DIMMER, ELECTRONIC, 2 LIGHT LEVEL
- 13. TRIM, FACE, POWDER COATED WHITE
- 14. TRIM, FACE, STAINLESS STEEL
- 15. CORD & PLUG, 3 PRONG, 6 FT., MOLDED
- 16. CORD & PLUG, 3 PRONG, 6 FT., HOSP. GRADE
- 17. HOUSING, E.G. STEEL, POWDER COATED WHITE
- 18. LENS, 1/8" TRANSLUCENT WHITE PLEXIGLASS
- 19. FILM GRIP, ADJUSTABLE ROLLER
- 20. K.O., 7/8", STANDARD 3 WIRE POWER LEAD LOCATION (IF NO CORD & PLUG) ON BACK, FOR STRAIGHT TIER UNITS
- 21. K.O., 7/8", STANDARD 3 WIRE POWER LEAD LOCATION (IF NO CORD & PLUG) ON BACK, FOR TILTED LOWER TIER UNITS
- 22. DIVIDER, SECTIONAL, REMOVABLE
- 23. VENT, AIR CIRCULATION
- 24. MOUNTING HOLE, 1/4" DIA., 2 IN EACH SECTION

NOTE: ONLY ITEMS W/ MARKED BOXES ARE INCLUDED

SWITCH REFERENCE:	
STANDARD: 7	DIMMER: 9, 12
FILM ACTIVATED: 5, 9	DIMMER + FILM ACT: 5, 9, 12
LL: 8, 10	DIMMER + LL: 9, 10, 12
FILM ACT + LL: 5, 9, 10	DIMMER + LL + F. ACT: ... 5, 7, 9, 10, 12

115 VOLTS, 60 HTZ., AMPS AS SHOWN ABOVE IN "BULBS PER SECTION & TOTAL AMPS"

NOTE: ALL DIMENSIONS + 1/4"